



Assembly Instructions

Aries 150x90cm Rectangular Adjustable Table

(69805096&69806096)

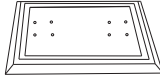

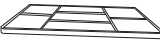
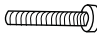

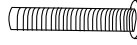
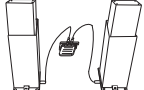








**PLEASE RETAIN THIS DOCUMENT ALONG WITH YOUR
PROOF OF PURCHASE FOR FUTURE**

Congratulations on your recent purchase of your beautiful Hartman furniture. We hope it brings you bountiful special moments with friends and family for many years to come. Please follow these simple steps to build your furniture. We also have a very useful video available online to assist with the assembly, please visit www.hartmanuk.com

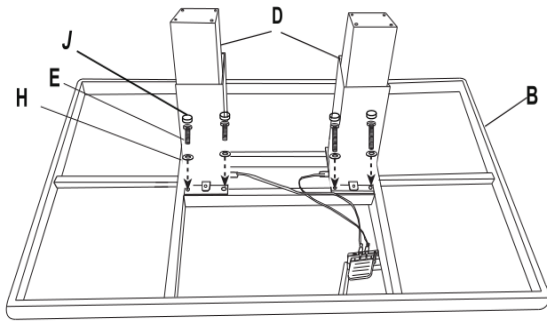
TOP TIPS

- Please read these instructions carefully before assembly, for further assistance please view our assembly video online for an easy step by step demonstration
- Aluminum is a soft metal and over tightening may strip the thread or break the part, please loosely assembly your furniture before tightening to secure.
- Please **do not** use power tools, please use the allen key provided in the bolt pack
- Please allow 1 hour for assembly
- This furniture can be assembled with **2** persons; however, you may need someone to assist you when turning the furniture over into position.

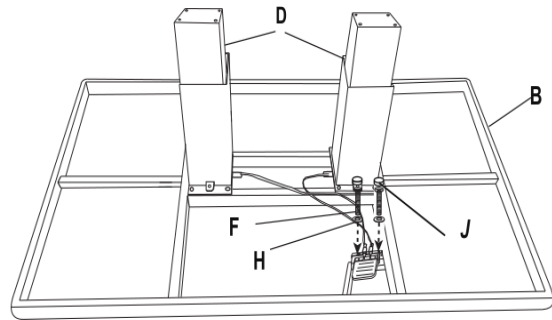
PARTS LIST

Components					Fixings				
Parts List	Parts Picture	Description	Qty	Part no	Parts List	Parts Picture	Description	Qty	Part no
A		Base	1	69805096A 69806096A	E		Bolt (M6X25)	8	1017162
B		Table Top	1	69805096B 69806096B	F		Bolt (M6X35)	2	1111162
C		Glass	1	69805096C 69806096C	G		Bolt (M8X50)	8	1012163
D		Gas Pump	1	69805096D 69806096D	H		Washer (M6X φ12)	10	1061162
					I		Washer (M8X φ16)	8	1062162
					J		Plastic Bolt Cap (M6)	10	1061167
					K		Plastic Bolt Cap (M8)	8	1061168
					L		Allen Key (M6)	1	1010162
					M		Allen Key (M8)	1	1051162
					N		Sucker	10	1241164
					O		Adjustable Footpad	4	2PIF020

STEP 1 & 2: GAS PUMP ASSEMBLY

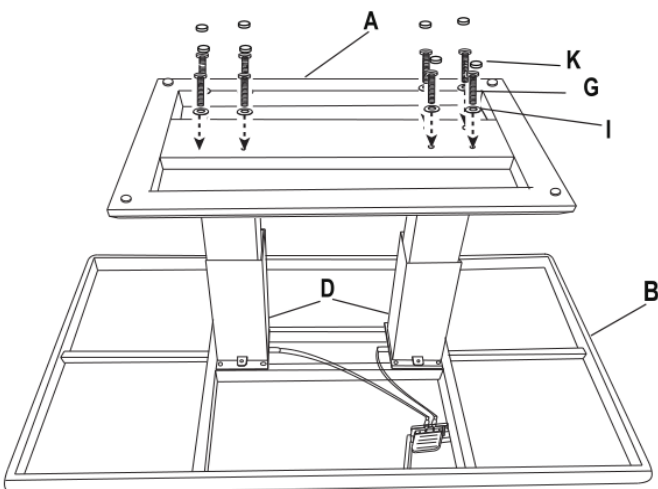


STEP 1: Attach gas pump (D) to the table top (B), using the M6x25 bolt (E) and washer (H). Tighten all the bolts with the Allen key (L), and cover with the plastic bolt cap (J).



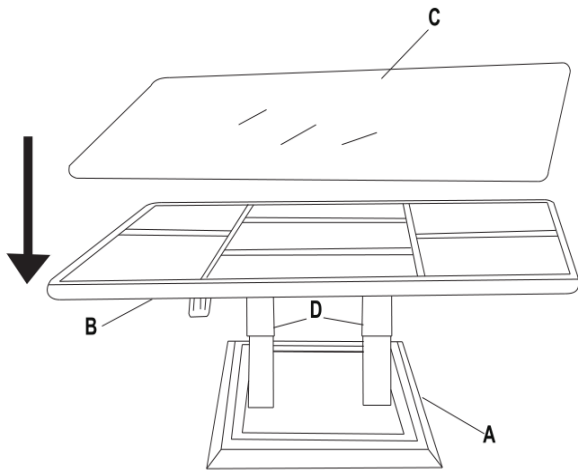
STEP 2: Attach handle to the table top (B), using the M6x35 bolt (F) and washer (H). Tighten all the bolts with the Allen key (L), and cover with the plastic bolt cap (J).

STEP 3: BOTTOM ASSEMBLY

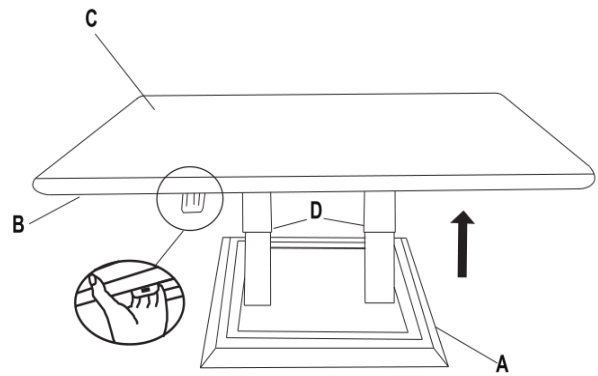


STEP 3: Attach bottom (A) to the gas pump (D), using the M8x50 bolt (G) and washer (I). Tighten all the bolts with the Allen key (M), and cover with the plastic bolt cap (K).

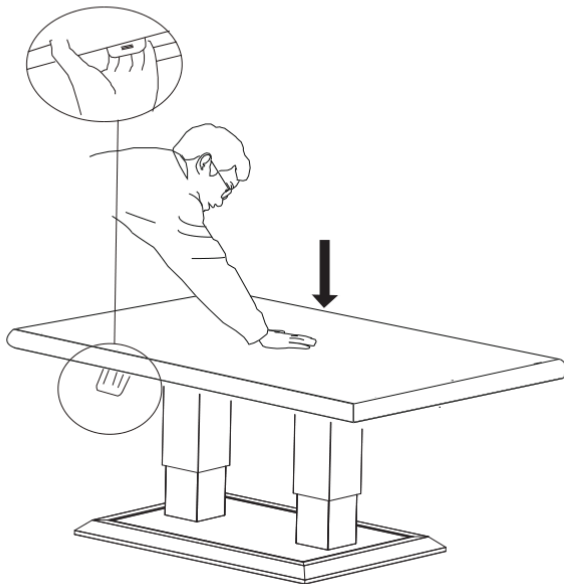
STEP 4 to 6: COMPLETE AND TEST LIFT FUNCTION



STEP 4: Turn the table over and place the glass (C) onto the table



STEP 5: Squeeze the handle to raise the table



STEP 6: Gently press down on the center of the table while squeezing the handle to lower the table.