



# Assembly Instructions

## Rayo / Portico / Trevi 6 Seat Round Dining Table

(Product Codes: 68903149/60903096/60903099)

**PLEASE RETAIN THIS DOCUMENT ALONG WITH YOUR  
PROOF OF PURCHASE FOR FUTURE**



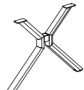

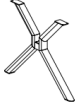


Congratulations on your recent purchase of your beautiful Hartman furniture. We hope it brings you countless special moments with friends and family for many years to come.

Please follow these simple steps to build your furniture. We also have a very useful video available online to assist with the assembly, please visit [www.hartmanuk.com](http://www.hartmanuk.com)

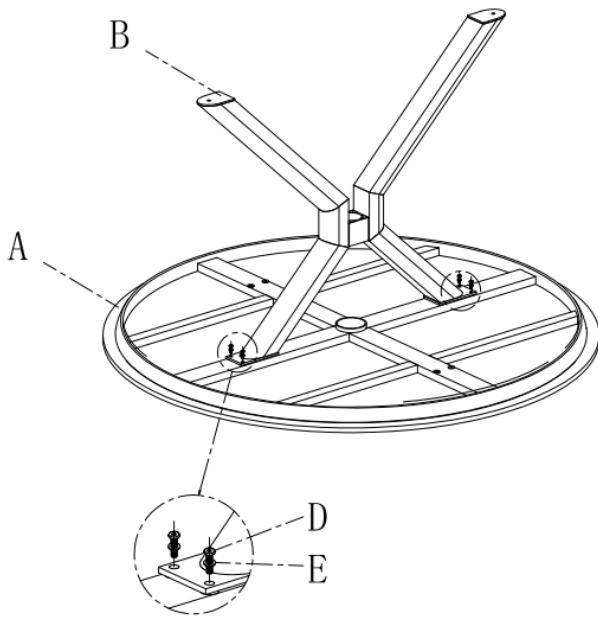
### TOP TIPS

- Please read these instructions carefully before assembly, for further assistance please view our assembly video online for an easy step by step demonstration.
- Aluminium is a soft metal and over tightening may strip the thread or break the part, please loosely assembly your furniture before tightening to secure.
- Please **do not** use power tools, please use the Allen key provided in the bolt pack.
- Please allow 1 hour for assembly.
- This furniture can be assembled with **1** person; however, you may need someone to assist you when turning the furniture over into position.

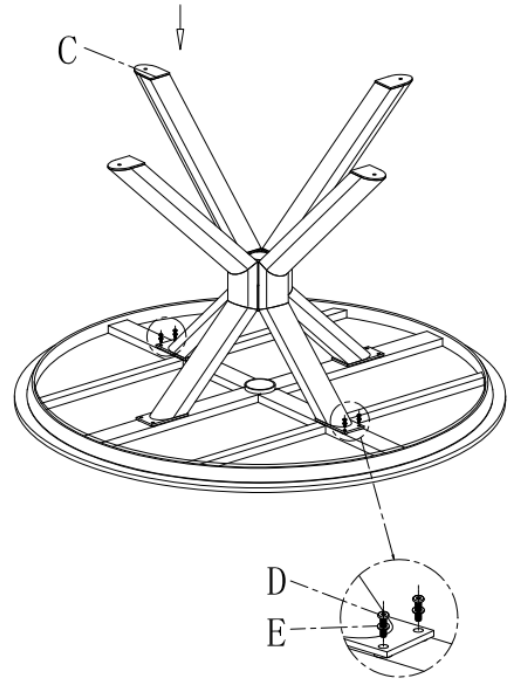
## PARTS LIST

Components					Fixings				
Parts List	Parts Picture	Description	Qty	Part no	Parts List	Parts Picture	Description	Qty	Part no
A		Table Top	1	68903149A 60903096A 60903099A	D		M6*20 Bolts	8	1091162
B		Left Leg Frame	1	68903149A 60903096A 60903099A	E		M6 Flat Washers	8	1061166
C		Right Leg Frame	1	68903149A 60903096A 60903099A	F		Allen Key	1	2002191
					G		Parasol Bungs & Reducers	3	2100050

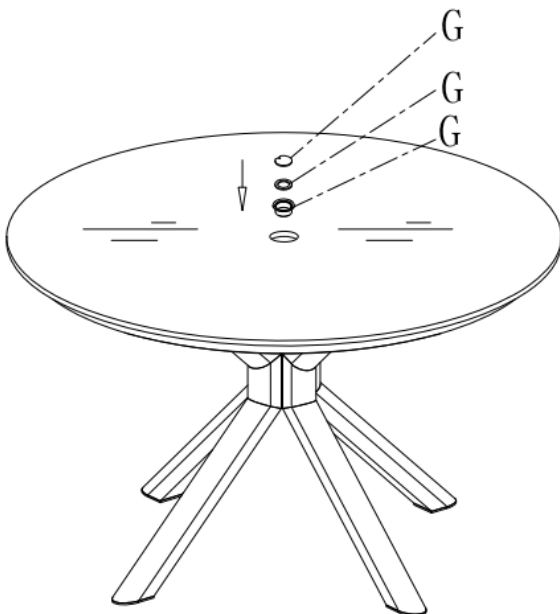
## STEP 1 & 2: LEG ASSEMBLY



**STEP 1:** Loosely attach left leg frame (B) to table top (A) with big bolts (D) & big flat washers (E), using Allen key (F).



**STEP 2:** Attach right leg frame (C) to table top (A) with big bolts (D) & big flat washers (E), using Allen key (F). Tighten all bolts using Allen key (F) one by one being careful not to over tighten any as this will cause the thread to become damage.



**STEP 3:** Turn the table over and place in desired position. Place parasol bungs & reducers (G) in the hole on table top. You can now use the table.

