

KETTLER

Malo Lounge Set

007113-0200



IMPORTANT

PLEASE KEEP THIS BOOKLET FOR FUTURE REFERENCE.
THIS IS IMPORTANT INFORMATION REGARDING THE
USE AND CARE OF YOUR GARDEN FURNITURE.



ASSEMBLY
TIME

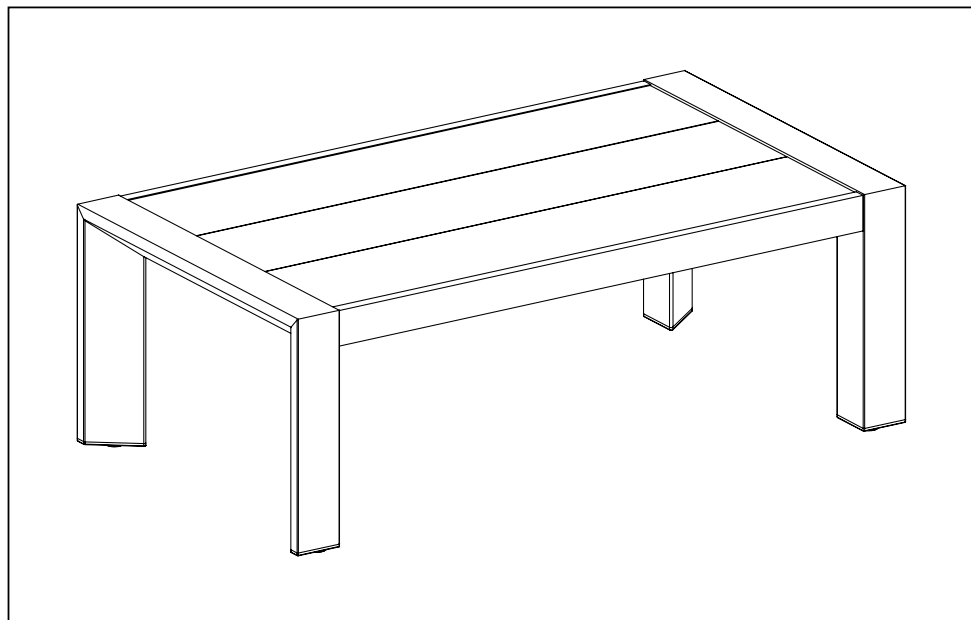


PERSONS
REQUIRED

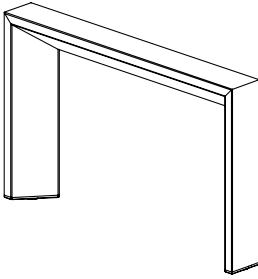
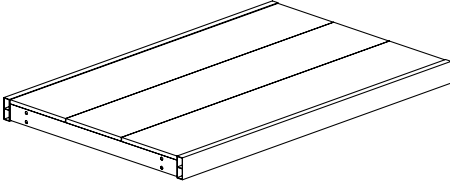
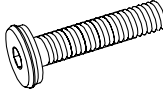



Assembly - Malo Coffee Table

Helpful advice before you begin:

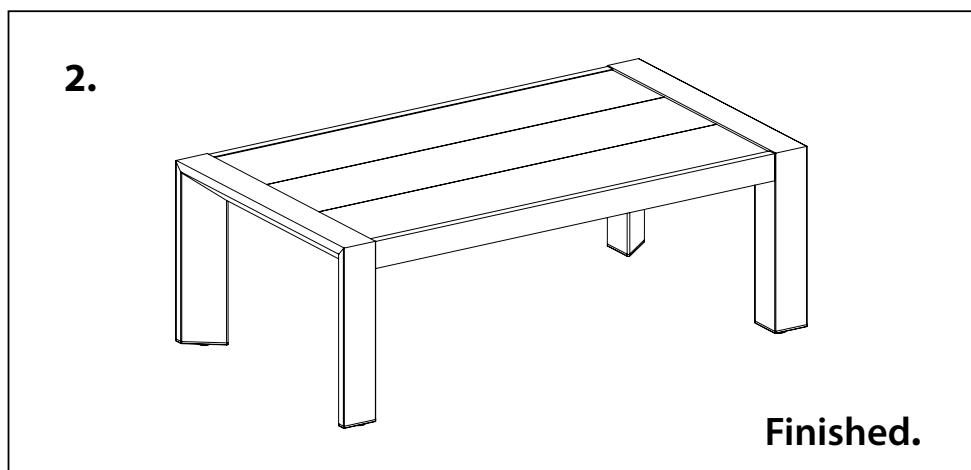
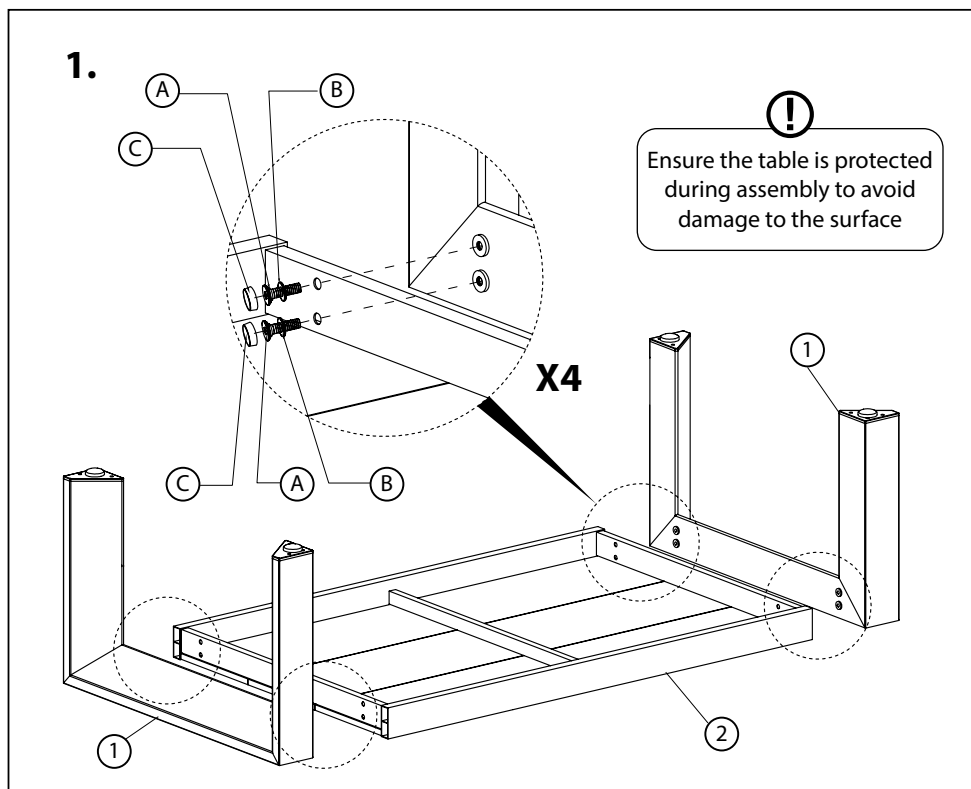
1. We suggest you spend a short time reading through this leaflet and then follow the simple step by step instructions.
2. Do not discard any of the packaging until you have checked that you have all the parts and the pack of fittings.
3. Assemble this product on a soft surface.
4. To ensure an easier assembly, we strongly advise that all fittings are only finger tightened during initial assembly. Only upon completion of the assembly should all fixing points be fully tightened.
5. Keep fittings out of children's reach.
6. Do not use any other tools other than those recommended to build this product.
7. Please do not use substitute parts. Use only additional or replacement parts supplied by Kettler.
8. In the unlikely event that this product has missing or damaged parts, please visit our website www.kettler.co.uk



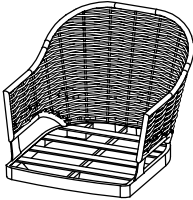
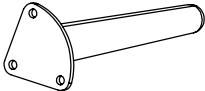
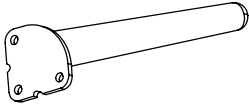

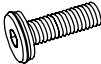


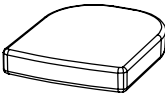

Parts List - Malo Coffee Table

 <p>① Leg Frame x2</p>	 <p>② Table Top x1</p>
 <p>Ⓐ Screw M6 x 30 x8</p>	 <p>Ⓑ Washer x8</p>
 <p>Ⓒ Screw Caps x8</p>	 <p>Ⓓ Allen Key x1</p>

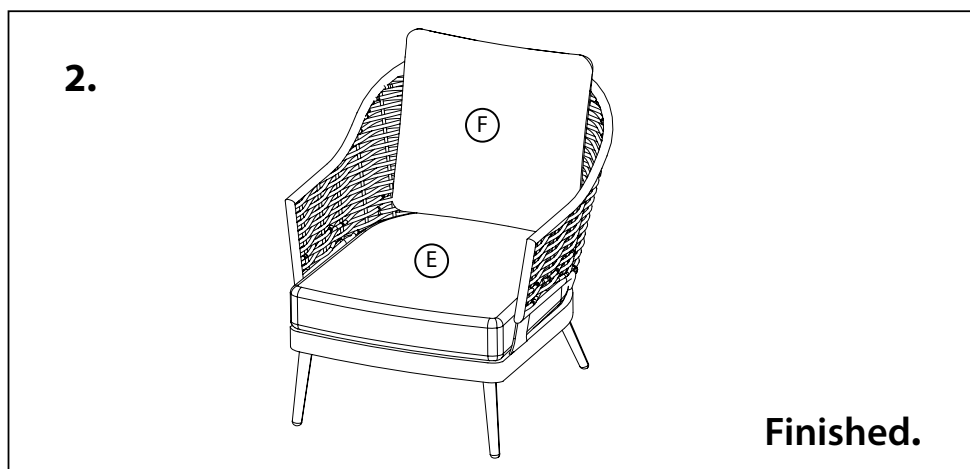
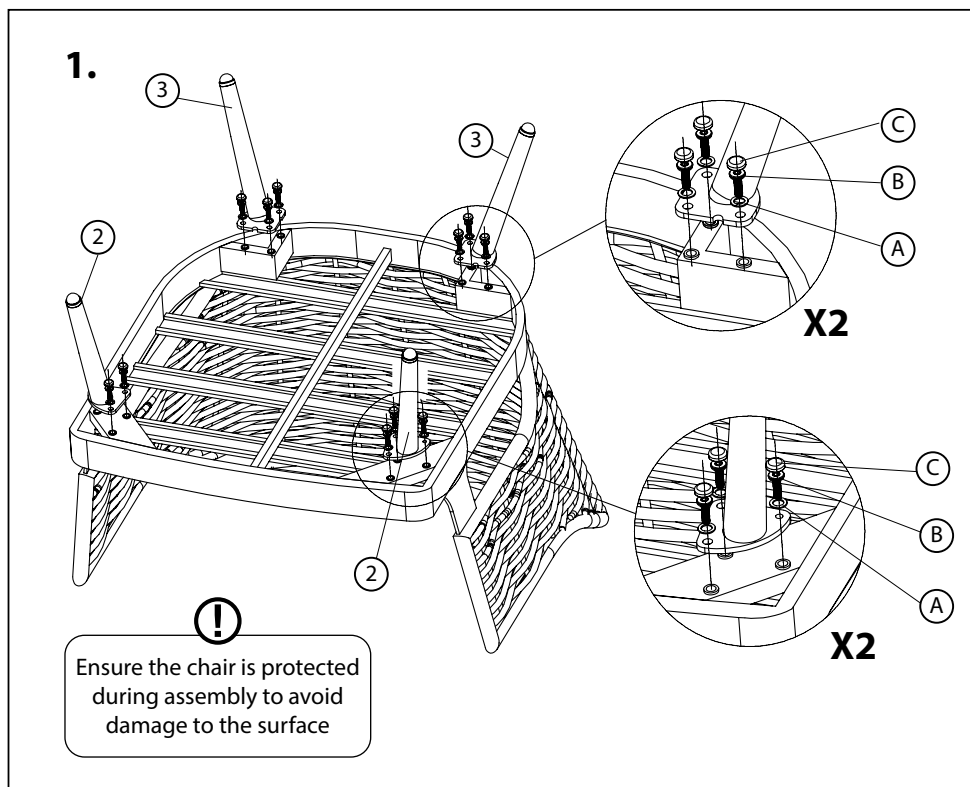
Assembly - Malo Coffee Table



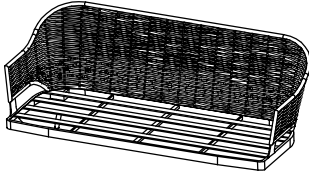
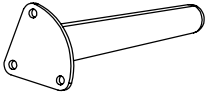
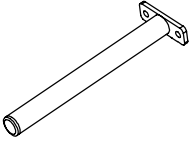
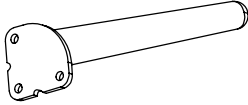

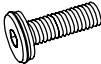
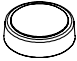



Parts List - Malo Lounge Chair

 <p>① Seat Frame x1</p>	 <p>② Front Legs x2</p>	 <p>③ Rear Legs x2</p>
 <p>Ⓐ Washer x12</p>	 <p>Ⓑ Screw M6 x 18 x12</p>	 <p>Ⓒ Screw Caps x12</p>
 <p>Ⓓ Allen Key x1</p>	 <p>Ⓔ Seat Cushion x1</p>	 <p>Ⓕ Back Cushion x1</p>

Assembly - Malo Lounge Chair

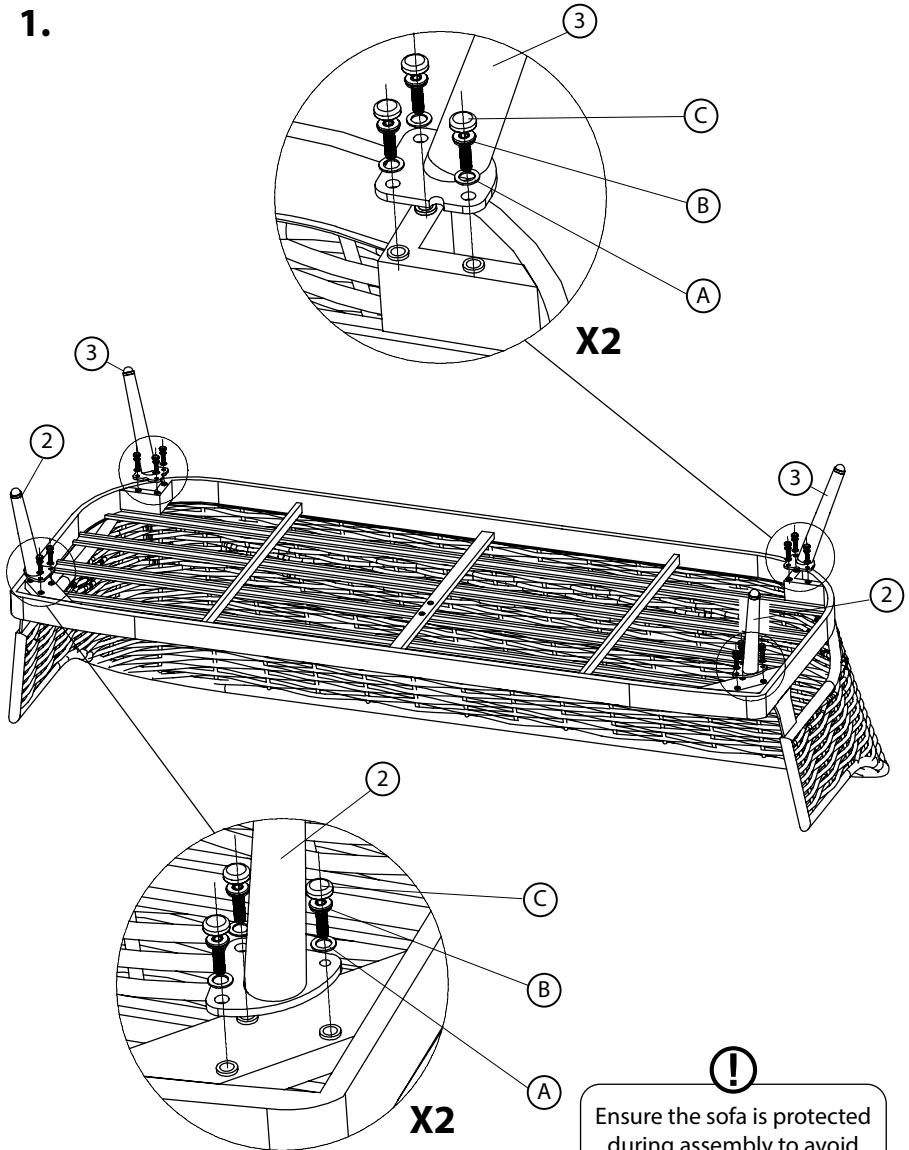


Parts List - Malo 3 Seater Sofa

 ① Seat Frame x1	 ② Front Legs x2	 ④ Centre Leg x1
	 ③ Rear Legs x2	
 Ⓐ Washer x14	 Ⓑ Screw M6 x 18 x14	 Ⓒ Screw Caps x14
 Ⓓ Allen Key x1	 Ⓔ Seat Cushion x1	 Ⓕ Back Cushion x3

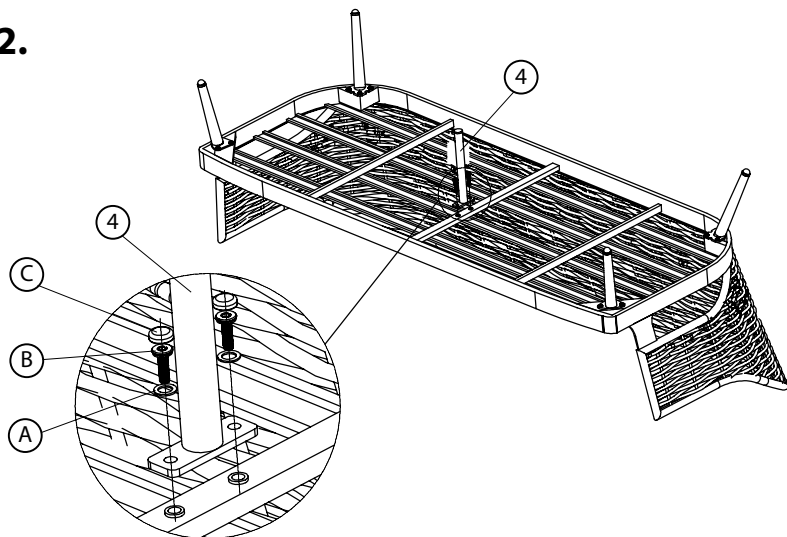
Assembly - Malo 3 Seater Sofa

1.

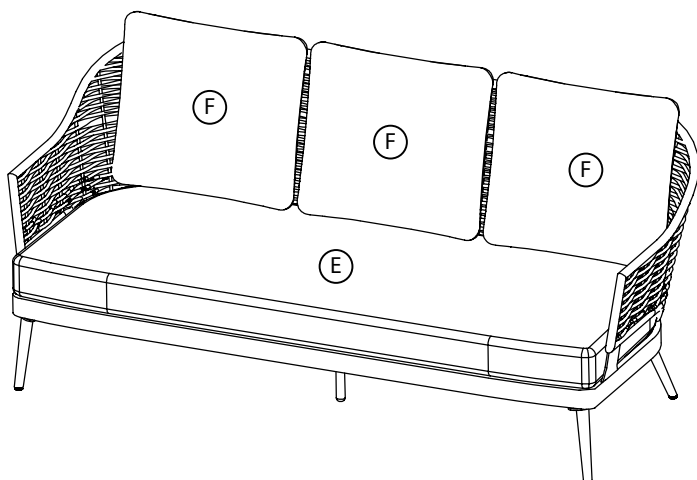


Assembly - Malo 3 Seater Sofa

2.



3.



Finished.

Maintenance and Care Instructions

This product may only be used for its intended purpose for residential premises. Any other uses may affect the warranty.

To maintain and lengthen the life of this product, we recommend the following regime:

- Kettler furniture is designed to be left outdoors all year round (excluding cushions). We recommend our weatherproof cushions are covered when not in use in order to use immediately. If the cushions get wet from a shower, they will take approx. 20 minutes – 2 hours to fully dry. We recommend storing in a dry ambient temperature during winter months.
- Kettler cushions are not suitable for dry cleaning and are not machine washable.
- Sponge clean only. We recommend the use of the Kettler fabric care kit to clean and protect your cushions. This is available to purchase from the Kettler website.
- We recommend you clean your Kettler furniture at the beginning and end of the season. To clean your Kettler furniture, use warm soapy water only. Never use abrasive chemicals or cleaning agents. To lengthen the life of your product we recommend the wicker cleaner and protector for wicker elements and the multi-surface cleaner on metal elements from our after-care range which are both available to purchase from the Kettler website.
- Tree sap and bird droppings should be cleaned off immediately with warm soapy water. Moving parts such as locking mechanisms, catches and joints need to be lubricated where necessary.
- Do not leave hot items directly on the table. Coasters will protect your table from heat and water rings. Do not drop anything sharp or heavy onto the table. Take care when placing items onto the table to avoid scratches.
- This product is 100% recyclable. At the end of the products life, please dispose of responsibly.
- Colours may vary slightly.

Failure to comply with the outlined instructions will result in the warranty being invalidated.



For more information view our
'How-To' and maintenance videos:
kettler.co.uk/how-to-guides



Attention

Please be aware that painted/varnished surfaces can be damaged by sunscreens. If the surface of your Kettler leisure furniture comes into contact with sunscreens, the surface is to be cleaned without delay as described above. Only in this way can lasting discolouration of the surface by the ingredients of the sunscreen be prevented.

For Your Safety

- Check all components regularly for correct function, damage and loose connections especially at the start of the season and at 1-2 month intervals dependent on use.
- Damaged components may endanger your safety or shorten the life of the product. Replace all damaged parts immediately. Use only spare parts manufactured by Kettler. Should you wish to purchase spare parts, they can be ordered directly from: www.kettler.co.uk/shop
- Kettler will not be responsible for damaged caused by improper use.



Attention

- Whilst assembling this product keep out of the reach of children. (Choking hazard – contains small parts)
- Ensure that your working area is free of possible sources of danger, for example don't leave any tools lying around.
- Always dispose of packaging material in such a way that it may not cause any danger. There is always a risk of suffocation if children play with plastic bags!
- We reserve the right to make changes for technical reasons.

KETTLER

www.kettler.co.uk



PlanetMark



Warranty For Home Use

This product is covered by a 3 year warranty against manufacturing faults. This warranty applies to domestic use only. It does not cover commercial use, mis-use or accidental damage.

To validate your warranty, register at www.kettler.co.uk and quote the product code from the front of this booklet.